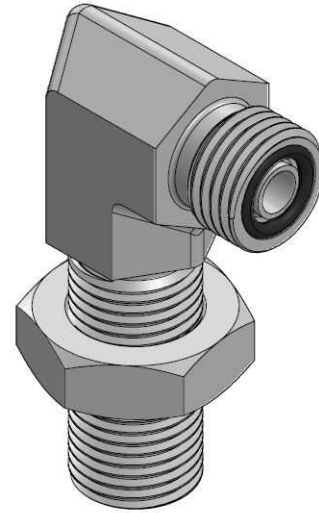
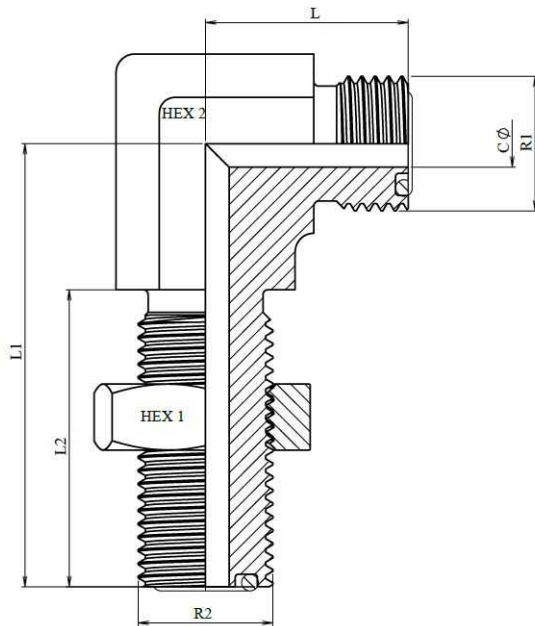


90° Elbow ORFS Bulkhead

Carbon steel



| Part n° | R1 | R2 | L | L1 | L2 | HEX 1 | HEX 2 | ØC |
|------------------|------------------|------------------|------|------|------|-------|-------|------|
| OR4030404 | ORFS 9/16"-18h | ORFS 9/16"-18h | 21,5 | 47 | 31,5 | 22 | 17 | 5 |
| OR4030606 | ORFS 11/16"-16h | ORFS 11/16"-16h | 25 | 52 | 34 | 27 | 19 | 6,5 |
| OR4031010 | ORFS 1"-14h | ORFS 1"-14h | 33 | 63 | 40,5 | 36 | 27 | 12,5 |
| OR4031212 | ORFS 1"3/16-12h | ORFS 1"3/16-12h | 37 | 67 | 41,5 | 41 | 32 | 15,5 |
| OR4031616 | ORFS 1"7/16-12h | ORFS 1"7/16-12h | 42 | 71 | 42 | 46 | 41 | 20,5 |
| OR4032020 | ORFS 1"11/16-12h | ORFS 1"11/16-12h | 45 | 75,5 | 42 | 50 | 46 | 26 |
| OR4032424 | ORFS 2"-12h | ORFS 2"-12h | 50 | 79,5 | 42 | 60 | 55 | 32 |

The material can be provided with imperial hexagons